



DDLE802

Leading Edge Dimmer Controller

Direct dimming for a range of lighting loads

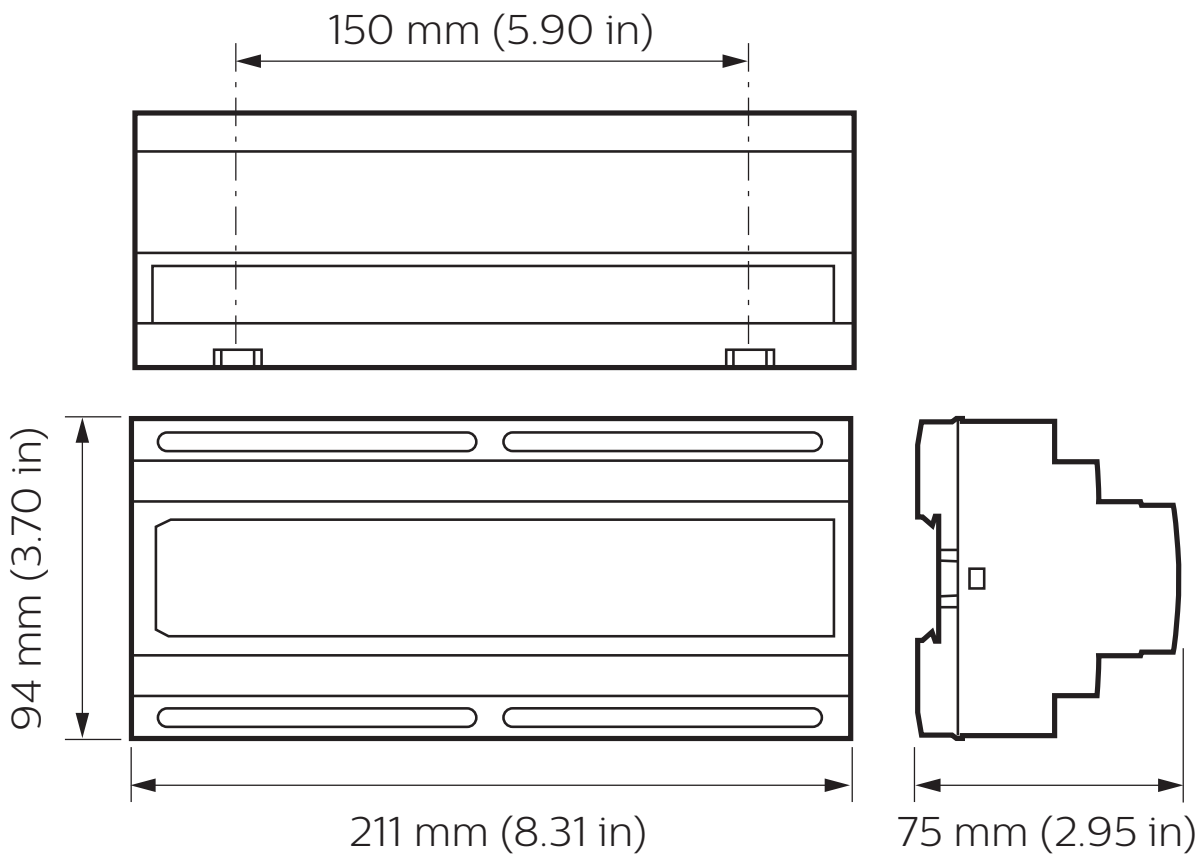
The Philips Dynalite DDLE802 is an eight-channel leading edge dimmer controller with a maximum load per channel of 2 A. It is suitable for use with incandescent, low voltage, neon and selected fluorescent fixtures.

DDLE802

Direct dimming for a range of lighting loads

- **Optional manual override LED illuminated service switch** – Provides diagnostic and local override capability.
- **Soft start and voltage regulation technologies** – Protects lamps from over voltage and dramatically improves lamp life, reducing maintenance costs.
- **Naturally ventilated** – No forced cooling required, no maintenance required.
- **Flexible mounting solution** – A DIN-rail mountable device, designed to be installed into the distribution board supplying power to the controlled circuit.

Dimensions



Specifications

Due to continuous improvements and innovations, specifications may change without notice.



DDLE802
Leading Edge Dimmer Controller

Electrical

Supply Type	Single-phase
Supply Voltage	230 VAC (±14%)
Supply Current	16 A
Outputs	8 x Leading edge dimming
Output Channel Current	2 A
DyNet DC Output Voltage	12 VDC
DyNet DC Output Current	120 mA
Power Conditioning	Regulated outputs Overvoltage protection Surge protection Brownout / Sag protection Spike protection Soft start 16 bit fade resolution (65,536 steps)
Electrical Protection	4 x 6.3 A time delay fuse (2 channels per fuse)
Regulating Device	Triac (20 A, 600 V, 200 A surge)
IEC Overvoltage Category	III

Control

Serial Ports	1 x RS485
Supported Protocols	DyNet DMX Rx
DMX Rx Channels	8
Dry Contact Inputs	1 (AUX)
Diagnostic Functions	Device online/offline status Circuit run time tracking on each channel
User Controls	1 x service switch
Indicators	1 x service LED

Physical

Dimensions (H x W x D)	94 x 211 x 75 mm (3.70 x 8.31 x 2.95 in)
Packed Weight	0.94 kg (2.07 lb)
Construction	Polycarbonate DIN-rail enclosure (12 unit)
Serial Ports	1 x RJ12 1 x 6-way screw terminal
Serial Port Conductor Size	2.5 mm ² (#12 AWG) (max)
Supply Terminals	3 x screw terminal (Line, Neutral, Earth)
Supply Terminal Conductor Size	5 mm ² (#10 AWG) (max)
Load Terminals	16 x screw terminal
Load Terminal Conductor Size	5 mm ² (#10 AWG) (max)

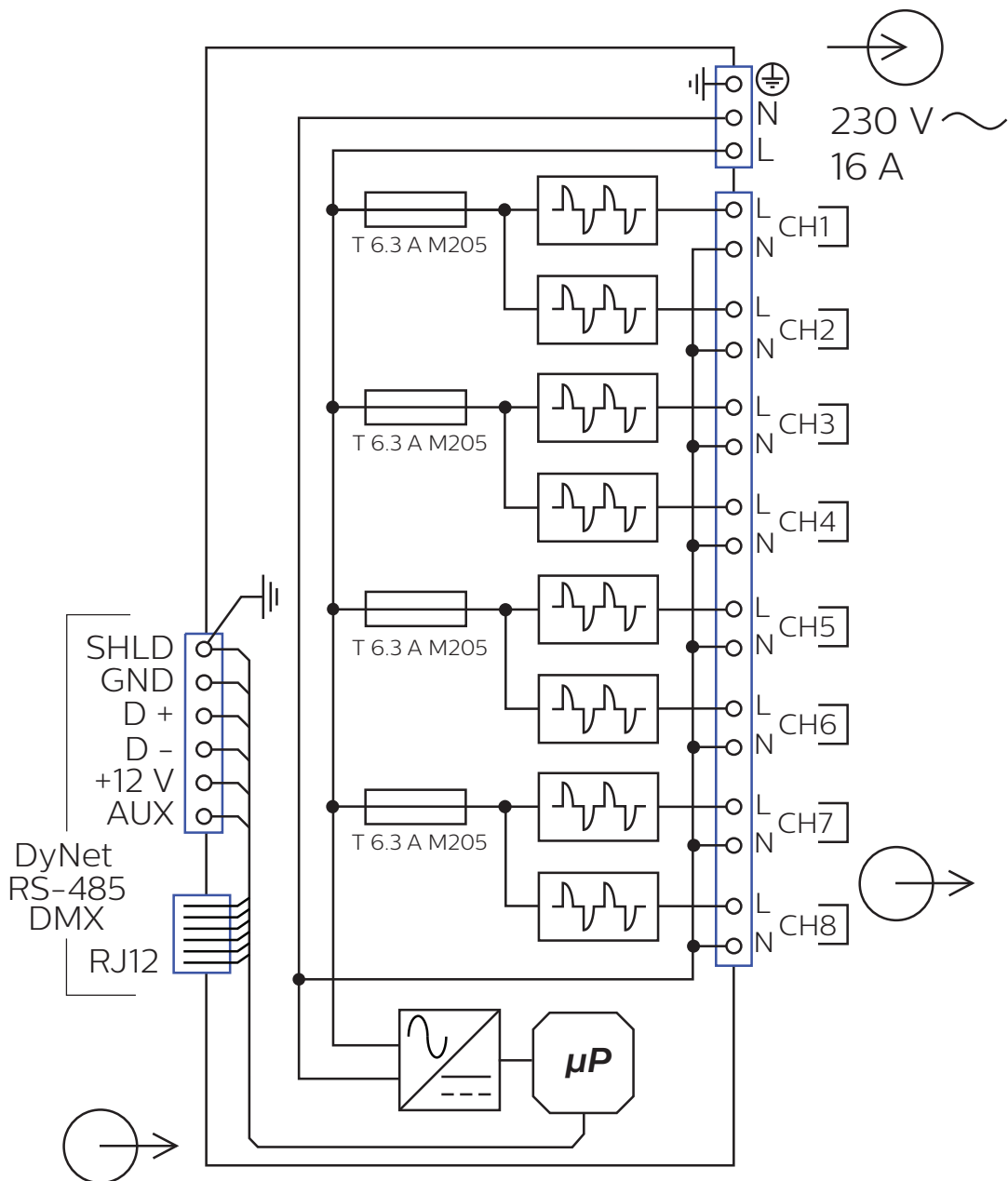
Environment

Operating Temperature	0° to 40°C ambient (32° to 104°F)
Storage/Transport Temperature	-25° to 70°C ambient (-13° to 158°F)
Humidity	0 to 90% non-condensing
IEC Pollution Degree	II

Compliance

Certification	CE, RCM, RoHS
---------------	---------------

Electrical



Ordering Code

Product

DDLE802 (Standard)

DDLE802-MO (Manual Override)

Philips 12NC

913703000009

913703000109



© 2018 Signify Holding. All rights reserved. Specifications are subject to change without notice. No representation or warranty as to the accuracy or completeness of the information included herein is given and any liability for any action in reliance thereon is disclaimed. Philips and the Philips Shield Emblem are registered trademarks of Koninklijke Philips N.V. All other trademarks are owned by Signify Holding or their respective owners.